

# MOBLI (A-R)

Hydraulic pulling of cables and pipes



## MOBLI (A-R)

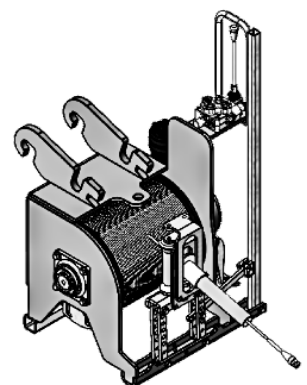
With the Mobli pulling pipes and cables becomes very easy and convenient. The Mobile Winch is available in a manual or an automatic configuration. To make the Mobli even more useful, the option for pull force registration can be added.

## DE MOBLI

For both installing and renovating cables and pipes, pulling power is needed. The Mobli is an attachment for mini excavators where the excavator is also the powerpack for the winch. When asked for, the Mobli can get minor changes to make the winch adaptable to other machines, like tractors.

The basic winch is equipped with a manual guidance of the cable. The MobliA has an automatic cable guidance. This 'A'-series is also available with (remote controlled) pull force registration.

Thanks to the compact build it is easy to take the mobile winch with you to the job site: on the trailer with the excavator or even in the back of the van. Because the Mobli functions with the hydraulics of the excavator, no separate powerpack is needed.

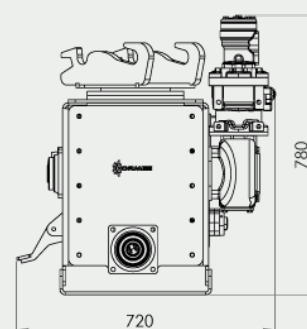
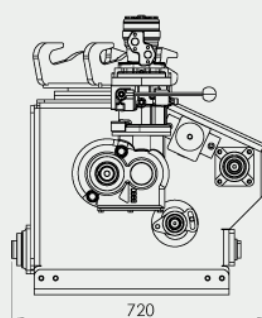




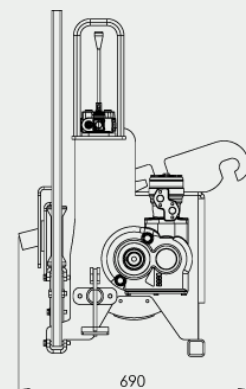
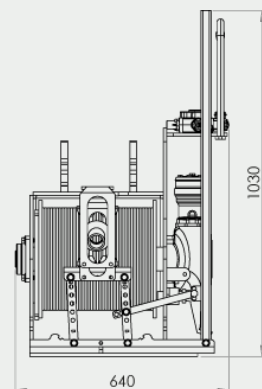
# SPECIFICATIONS

MOBLI	1206	1608	2010	1607A	1608A	1607AR	1608AR
	Manual guidance			Automatic guidance		Pull force registration	
Pull force	1.200 kg	1.600 kg	2.000 kg	1.600 kg	1.600 kg	1.600 kg	1.600 kg
Cable thickness	6 mm	8 mm	10 mm	7 mm	8 mm	7 mm	8 mm
Cable length	600 m	350 m	200 m	350 m	300 m	350 m	300 m
Weight	220 kg	225 kg	215 kg	290 kg	300 kg	295 kg	305 kg

**Dimensions Mobli A(R)**  
Automatic guidance



**Dimensions Mobli**  
Manual guidance



## IN SHORT

- Pulling cables and pipes with an excavator
- No additional powerpack needed
- Available with pull force registration
- Automatic guidance possible
- Also suitable for other machines with hydraulic functions
- Compact size



Website



Email