

NANODRILL 5060

Horizontal directional drilling with mini-excavator (starting at 3.8 tons)



DIRECTIONAL DRILLING

Due to its success, we have expanded our line-up: introducing the NANODRILL 5060! Following the ultra-compact Nanodrill 3004, we now present the NANODRILL 5060. Still applicable to the mini-excavator and easily transportable with a work van or trailer. But with increased capacity.

THE NANODRILL 5060

Similar to the Nanodrill 3004, the new Nanodrill 5060 allows for directional drilling with a compact excavator (starting at 3.8 tons). The entry angle and rotator are hydraulically adjustable. The drill rods are flexible, enabling drilling with a bend radius of 6 meters. This allows for an entry angle of 100%/45°, resulting in a compact drilling path.

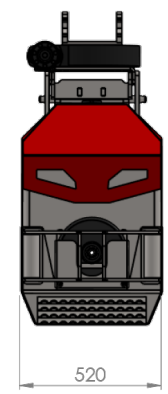
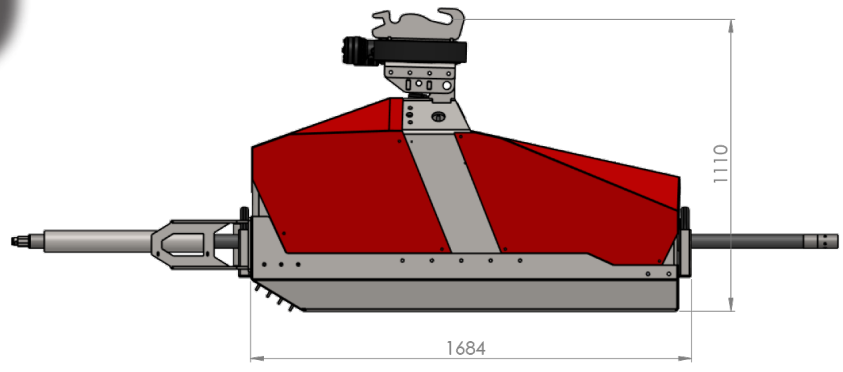
With the advanced remote control, the Nanodrill 5060 allows for digital reading and proportional adjustment of pull and thrust forces, torque, flow, and pressure of the bentonite. Additionally, the drilled length is recorded, and the required bentonite volume can be set on the remote control.

Obstacles can be navigated with directional drilling, preventing work disruptions. Moreover, there's no need for an expensive bore from a large drilling setup. Due to the compact drilling path, significantly fewer labour hours are required. The Nanodrill 5060 is suitable for emission-free operation.



SPECIFICATIONS

Dimensions	1,7 x 0,52 x 1,1 meters
Weight	594 kgs
Bend radius	6 meters
Hydraulic power	60-90 l/min - 220 bar
Power	30 kW
Max. torque	750 Nm
Pull and Thrust	6 000 kgs
Max. rpm	200 rpm
Max. drill length	80 meters
Max. diameter	300 mm



SUMMARY

- Applicable to mini-excavators starting at 3.8 tons
- Compact design: 1.7 x 0.52 x 1.1 meters
- Suitable for emission-free operation
- More precise than rocket drilling
- Radio remote control
- Adjustable entry angle
- Bend radius of 6 meters
- Reduced emissions through efficient operation



Website



Email