

NANODRILL 5060 TR

Emission-free directional drilling without excavator



EMISSION-FREE DIRECTIONAL DRILLING

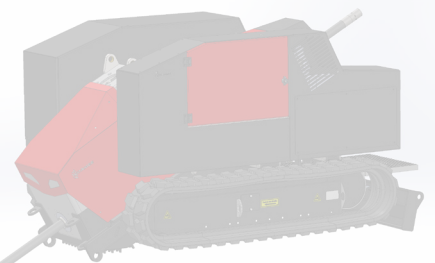
A fully electric-powered carrier, specifically developed for the NANODRILL 5060. The tracked carriage transports the Nanodrill to the correct location. Then, the electrically powered powerpack fuels the drilling machine. Completely emission-free drilling without the need for an excavator.

DE NANODRILL 5060 TR

The success of the Nanodrill lies in its ability to perform directional drilling with a compact setup. This significantly reduces the machinery and labour costs associated with cable laying projects. Previously, a suitable mini-excavator was required for the operation of the Nanodrill. With the new carrier, the use of an excavator is no longer necessary.

The Nanodrill 5060 TR is electrically powered and fuelled by a battery pack, making the machine emission-free. The tracked vehicle is also equipped with an electrically powered powerpack that operates the Nanodrill 5060. The Nanodrill can be used independently of the carrier on an excavator.

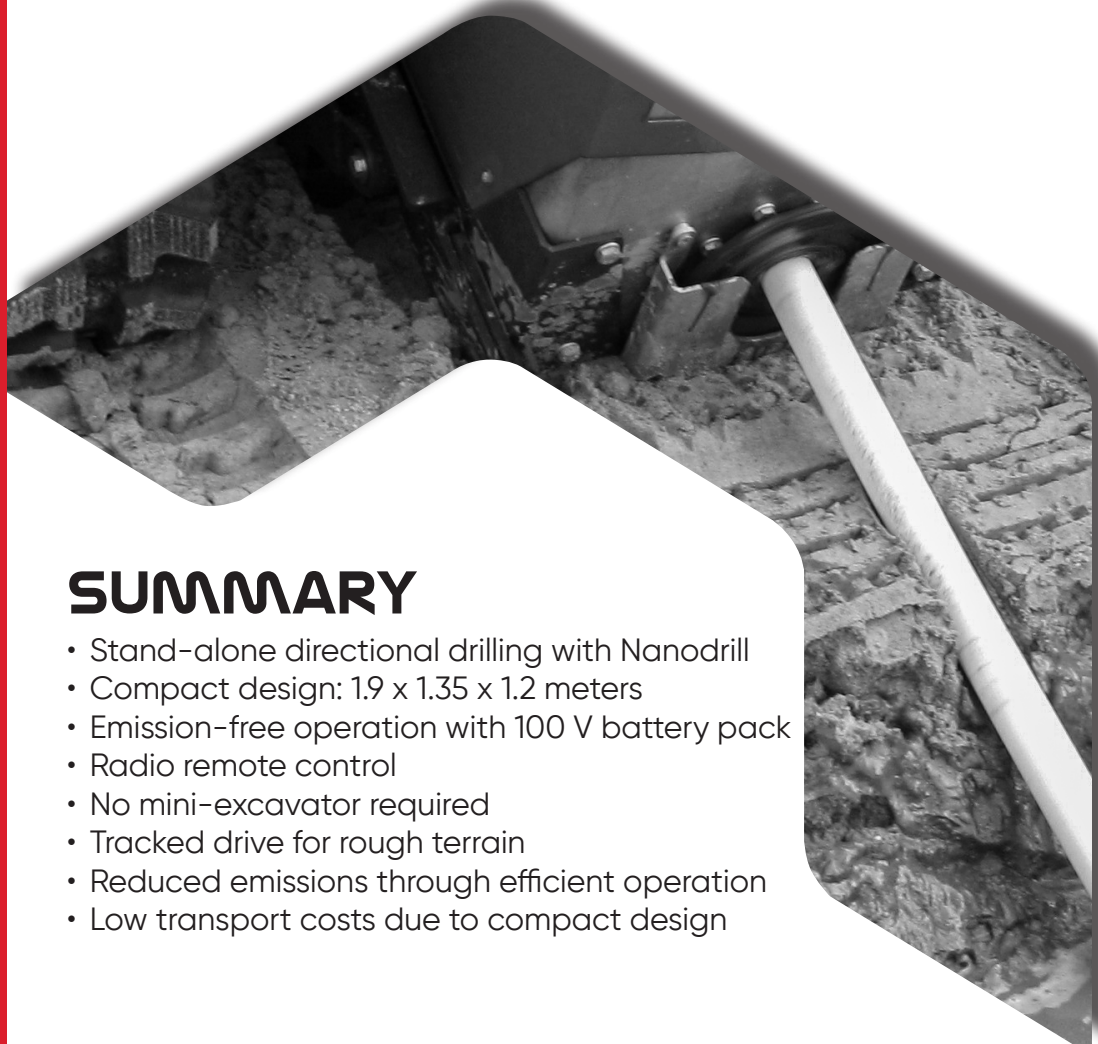
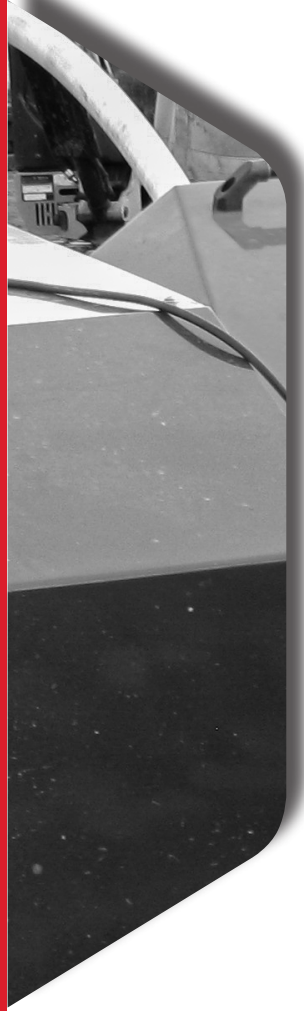
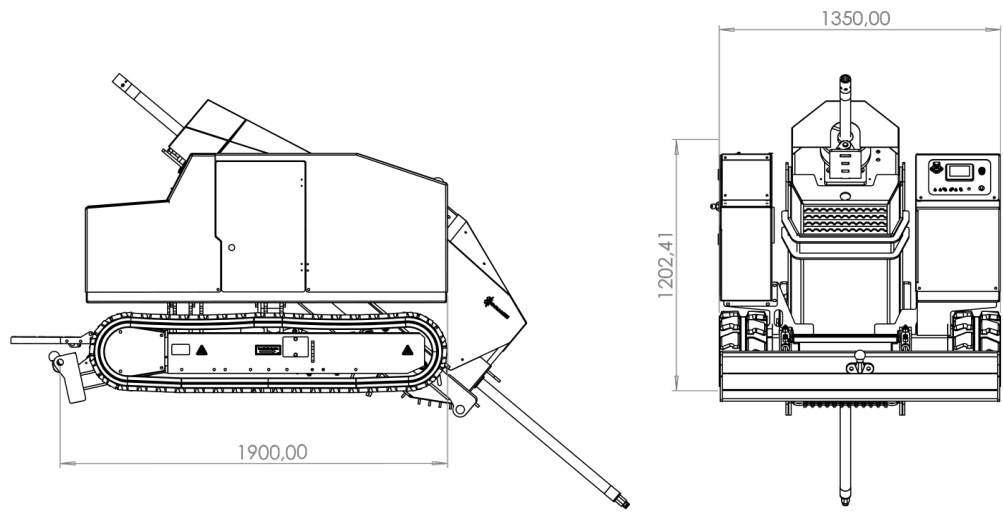
The combination of the Nanodrill with this tracked vehicle is suitable for most common directional drilling tasks. This makes the use of this emission-free machine much more sustainable, as large machines with emissions become unnecessary. Additionally, this combination significantly reduces transport weight.





SPECIFICATIONS

Dimensions	1,9 x 1,35 x 1,2 meter
Max. travel speed	3 km/h
Battery capacity	48 kW 100 Vac
Electric motor	2.800 rpm 30 kW
Load capacity	32 Amp - 3 fase
Hydraulic power	60-90 l/min - 220 bar
Remote control	yes



Website



Email

SUMMARY

- Stand-alone directional drilling with Nanodrill
- Compact design: 1.9 x 1.35 x 1.2 meters
- Emission-free operation with 100 V battery pack
- Radio remote control
- No mini-excavator required
- Tracked drive for rough terrain
- Reduced emissions through efficient operation
- Low transport costs due to compact design