

SLURPIE

Vacuum tank for disposal of bore fluid



SLURPIE

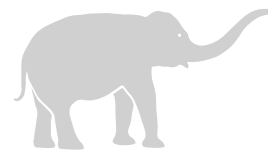
With this vacuum tank, liquids can be easily suctioned and disposed of. It is specifically designed for removing bore fluid. Available as either an integrated installation or on a trailer.

SLURPIE

The use of bore fluid (Bentonite) is a crucial part of HDD drilling. However, the fluid needs to be disposed of, and for this purpose, we offer a vacuum tank solution. Slurpie can be built into or mounted onto a vehicle. If preferred, we can deliver the unit on a trailer, allowing for easy deployment at multiple locations.

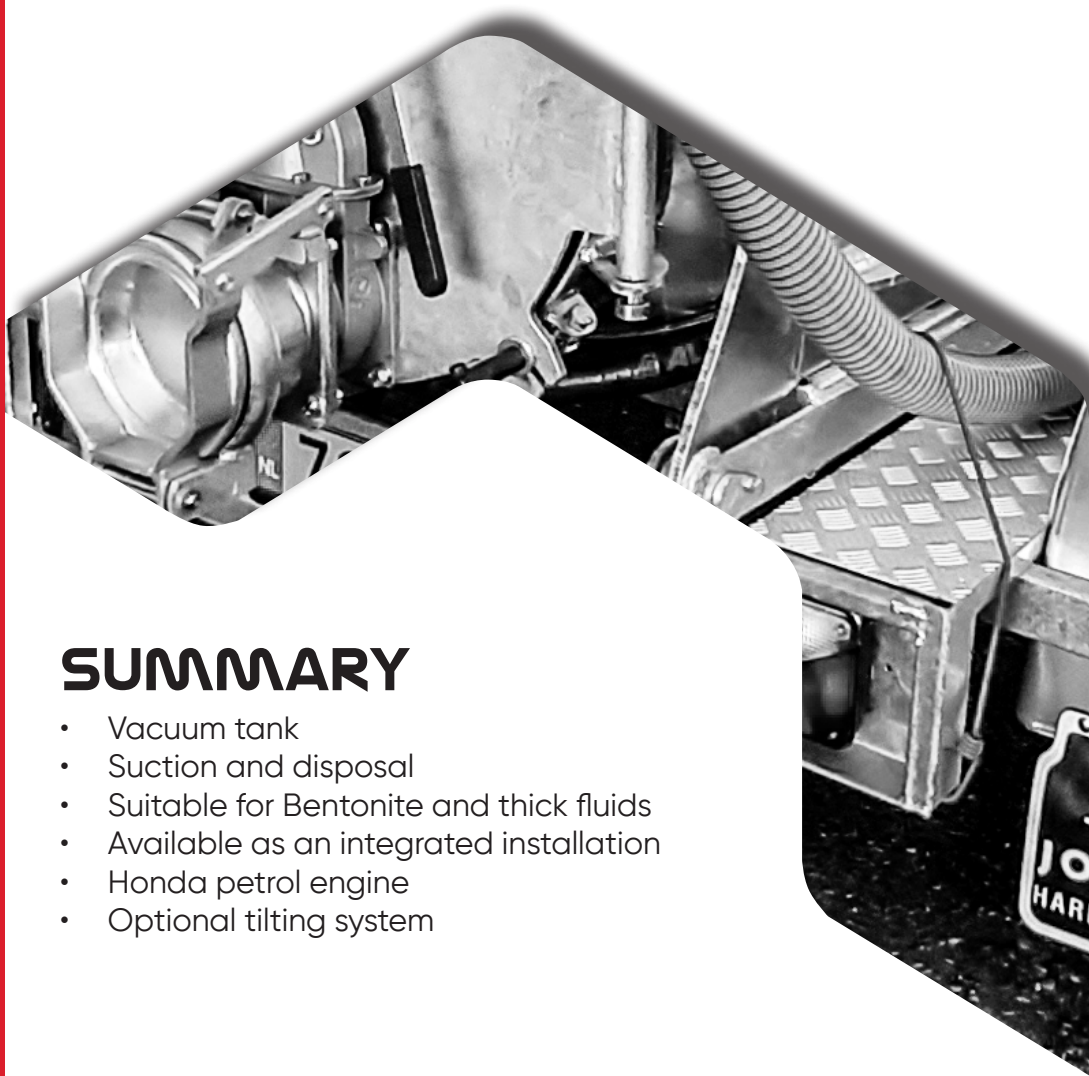
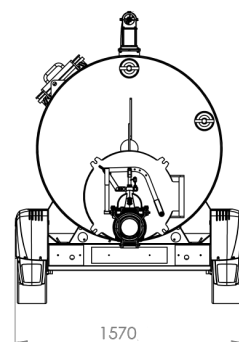
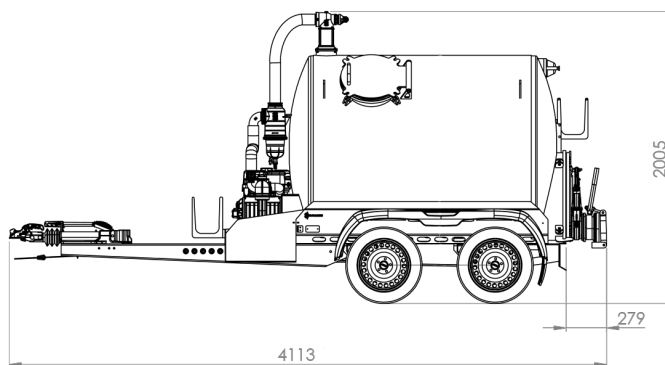
Certain fluids may be more challenging to unload, which is why we also offer the Slurpie Plus. This version features a tilting tank and an additional manhole for added convenience during cleaning. The Plus version comes standard with a liquid-ring pump for an extended lifespan and a lower maintenance interval.

The vacuum tanks come with a 2,000 m³ tank and a 2.5" suction hose. When combined with the Honda petrol engine drive, it becomes a complete unit for disposing of substances such as Bentonite, grout, and other (muddy) fluids.



SPECIFICATIONS

Tank capacity	2.000 liters
Drive	Honda petrol engine
Lamella pump	Standard
Liquid-ring pump	Optional
Tilting system	Optional
Hose size	2,5"
Tank diameter	1.280 mm



SUMMARY

- Vacuum tank
- Suction and disposal
- Suitable for Bentonite and thick fluids
- Available as an integrated installation
- Honda petrol engine
- Optional tilting system



Website



Email