



W O R L D S L A R G E S T  
TELESCOPIC ARM



[www.cosben-it.com](http://www.cosben-it.com)

PRELIMINARY



# PRODUCTIVITY

First in the world, weighing in at just over 9000kg and with a depth of up to 42 metres (138 Ft), we can install onto a 50 Tonne excavator. The excavators equipped with the largest telescopic arm have been designed to boost productivity on complex and challenging excavation projects. They can be used to remove soil from depths up to 42 metres (138 Ft) below ground and load trucks to transport the material swiftly offsite. The excavator range can be relied upon to operate smoothly and safely to meet tight deadlines. Big indeed! COSBEN has the solution to all your demands.



WORLD'S LARGEST  
TELESCOPIC ARM

PRELIMINARY



# PERFORMANCE

Using a technologically advanced combination of rope and hydraulic cylinders, the telescopic arm extends and retracts smoothly with a full load in a matter of seconds. The hydraulic circuit for the excavator range, offer even higher levels of productivity. The reliable and efficient operation of your excavator can have a strong impact on the success of your business.

Taking this into account, Cosben engineers have designed the clamshell telescopic models with several performance-enhancing features.

Our ultimate aim is to produce machines that will enable you to complete underground construction projects safely and on schedule. We believe the performance of the excavator range of clamshell telescopic excavators will extend beyond your expectations, providing you with a quick return on your investment.

## ENHANCED VISION CAMERA, ADVANTAGES:

The excavator telescopic arm is an example of a complex machine where good vision is essential to allow the work to progress smoothly and safely, as Cosben's camera system allows for better safer working conditions and improves operating efficiency on the job-site.

As standard we offer the camera mounted onto the main arm, this greatly enhances sight from the cab and gives a much clearer view than the naked eye especially after 20m, and doesn't require the operator to be continuously bending over, which after 8-10 hours per shift could result in an injury to the operator. This way the operator may maintain the correct posture and allow them to work in more comfort.

## SAFETY WARNING ALARMS

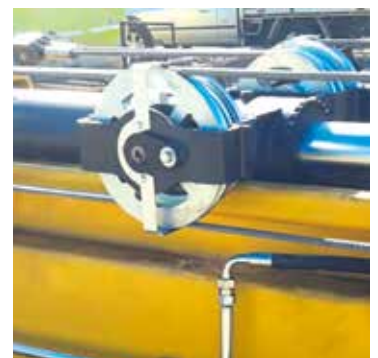
The safe performance of the excavator with telescopic arm is aided by the use of warning lights and safety alarms. For example, if either of the two wire ropes were to break suddenly or extend too far, an indication light and a warning buzzer would alert the operator immediately. In addition, a warning buzzer will alert the operator if too much pressure is applied once the clamshell bucket has reached the ground and is excavating the material.

## WIRE ROPES SYSTEM

One of several safety features incorporated into the design of the excavator range of telescopic arms is the wire ropes system. This means that, in the unlikely event that one rope should break, the other will hold the telescopic arm firmly in place, until it can be repaired. This is one of the many ways in which the excavator contributes to the safe and successful operation of any job site.

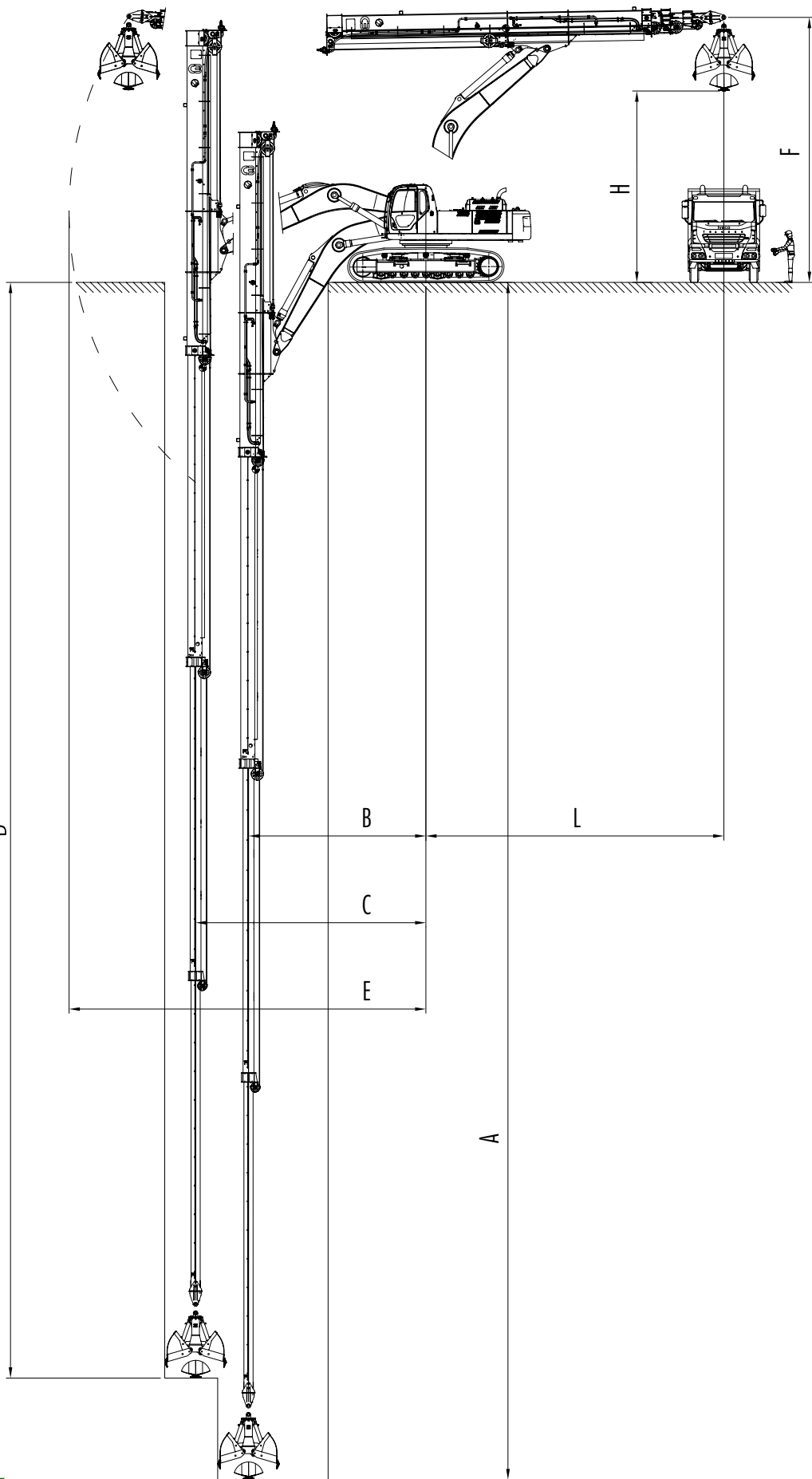
## SAFETY VALVE

The telescopic arm is also equipped with a "safety" anti drop valve, which, in the unlikely event of a damaged cylinder, will prevent any other impact on the machine or the environment.



# WORKING RANGES

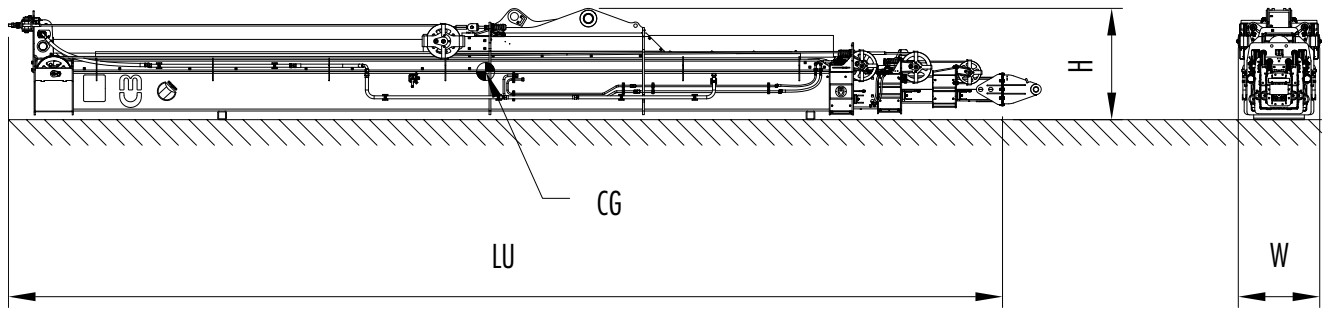
CODE	4970TA	14387TA	
<b>A</b> m	42	42	
<b>B</b> m	6.2	6.6	
<b>C</b> m	8	8.6	
<b>D</b> m	38.3	36.6	
<b>E</b> m	12.5	12.1	
<b>F</b> m	9.2	10	
<b>H</b> m	6.7	7.4	
<b>L</b> m	10.4	10.1	
<b>Model</b>	TA4265	TA4275	
<b>Excavator Ton</b>	50 - 64	65 - 75	
<b>Note</b>	additional counter weight needed		
<b>Second speed</b>	<b>** Down</b>	23	18
	<b>Up</b>	23	18
<b>CSB-BKT Code Cap.ty</b>	14298CS 1,3	14299CS 1,5	
<b>Productivity Cu.m/Hour from/to</b>	72 / 83	97 / 118	



\*\* Increase speed / Reduce elevation time with double hydraulic pump.

*The telescopic arm cylinder works from the auxiliary hydraulic line of the excavator. The excavator must have additional hydraulic lines fitted if hydraulic attachments are required.*

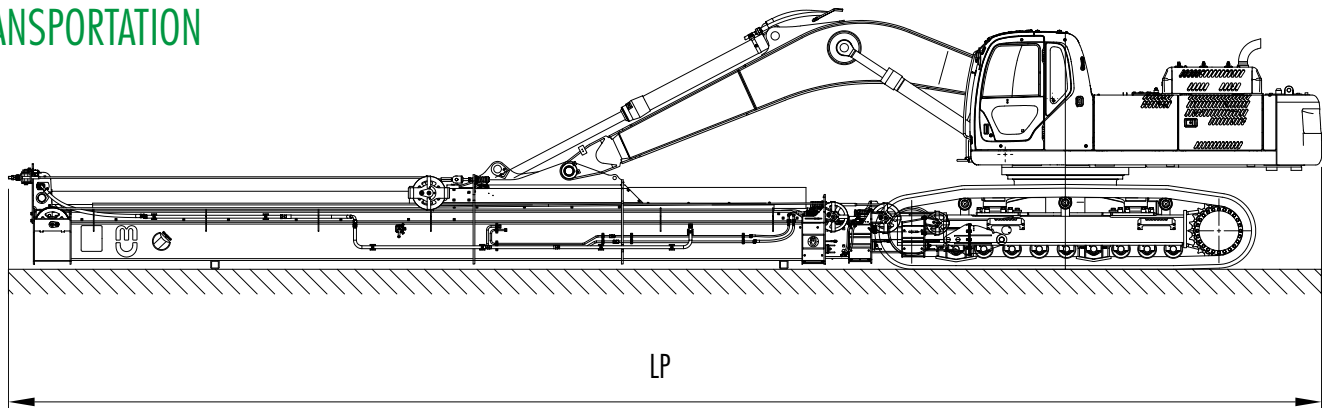
## TELESCOPIC ARM DIMENSIONS



CODE	LU - Length mm	H - Height mm	W - Width mm	Weight Kg	Container Length
4970TA	13.76	1.54	1.13	9030	45 Foot
14387TA	13.76	1.85	1.13	9530	

\* Without head

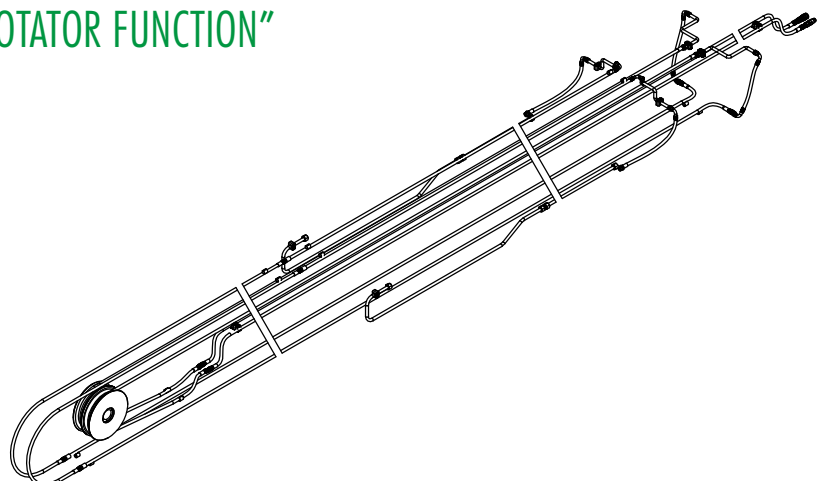
## TRANSPORTATION



CODE	LP - Length m	Machine - Weight Ton
4970TA	18.8	50 - 64
14387TA	19.5	65 - 75

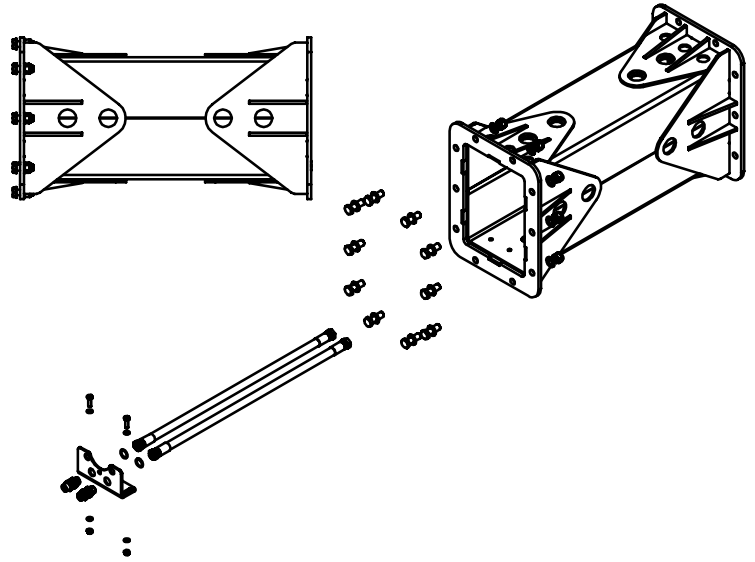
## LOW PRESSURE HYDRAULIC KIT "ROTATOR FUNCTION"

CODE	DESCRIPTION
14249HK	Hydraulic low pressure 1/2" hoses for 80/200 bars working.

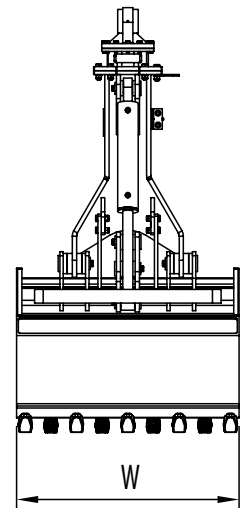
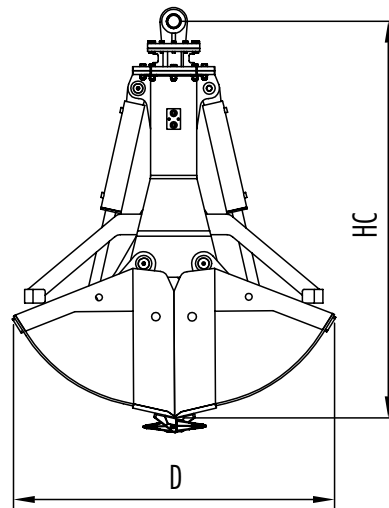
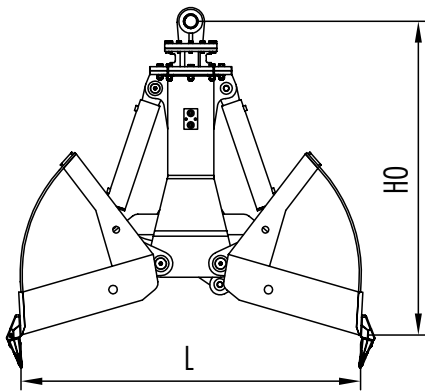


## EXTENSION INNER ARM

<b>CODE</b>	<b>14388TA</b>
<b>L mm</b>	1000
<b>Class</b>	TA-50 / 65



## CLAMSHELL BUCKET DIMENSIONS



<b>*CS CODE</b>	<b>O mm</b>	<b>HO mm</b>	<b>D mm</b>	<b>HC mm</b>	<b>W mm</b>	<b>Teeth No.</b>	<b>Bucket Capacities SAE J67 - Cu.m</b>	<b>Bucket weight Kg</b>
<b>14297CS</b>	1985	1840	1740	2320	1000	4 + 3	1,0	1525
<b>14298CS</b>	2015	1840	1740	2320	1200	5 + 4	1,3	1600
<b>14299CS</b>	2015	1840	1840	2320	1300	5 + 4	1,5	1670
<b>14238CS</b>	2015	1840	1880	2320	1500	6 + 5	1,8	1830
<b>14380CS</b>	2250	1870	1970	2450	1300	5 + 4	2,0	1785
<b>14300CS</b>	2250	1870	1970	2450	1500	6 + 5	2,2	1940
<b>14271CS</b>	2530	1915	2365	2590	1500	6 + 5	2,65	2210
<b>14360CS</b>	2530	1915	2365	2590	1700	7 + 6	3,0	2330



WORLD'S LARGEST  
TELESCOPIC ARM

PRELIMINARY



N.B. All data and descriptions are given for information purposes only and they are not binding the manufacturers for any future alteration as they may deem necessary for quality improvement of the attachments.



**cosben**<sup>®</sup>  
EQUIPMENT CONSTRUCTION

Via Carrate, 1/D  
41030 SOLARA (MO) - ITALY  
Phone +39 059 801056  
Fax +39 059 801060  
info@cosben-it.com

**www.cosben-it.com**

